

New Reciva Software V-038 Release Notice

Rotel is pleased to announce new Reciva software V266-a-137-a-038, new software version fixed a bug that Internet radio failed to play when it connects with WiFi network.

Affected unit models as below:

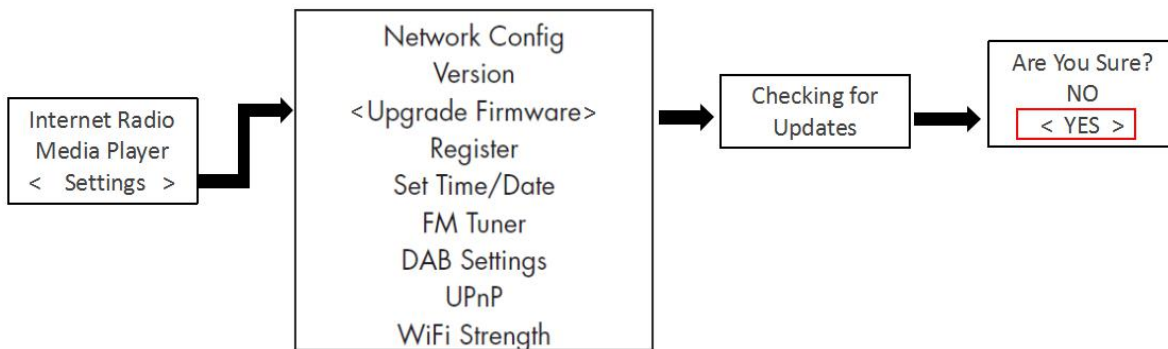
- RT-1570
- RDG-1520
- RT-12
- RCX-1500
- RT-09

These models can be updated either via a software update or hardware + software update depending on the current software/hardware version in the unit to restore the Internet Radio functions.

Software Update

Models running Internet Radio Software **V266-a-137-a-014 or newer** can update the software via the Internet following the steps below. No hardware modification is required for this update.

The Software Update menu can be found in the setup menu by selecting <Settings> → <Upgrade Firmware>



Software + Hardware Update

Models running Internet Radio Software V266-a-137-a-003, V266-a-137-a-007 require Hardware and Software update. More information about current software version check guide, part number instruction for Internet Streaming module, please refer to the below link.

<https://rotel.com/blog/reciva-4>

Blog Category

News

Product Related Posts

Posted by RotelHifi

New Reciva Software V-037 Release Notice

Rotel is pleased to announce new Reciva software V266-a-137-a-037, new software version made some improvements as below.

- a. Improved occasional network reboot.
- b. Improved preset stations may fail to switch properly.
- c. Fixed a bug that Internet radio fails to switch to DAB.

Affected unit models as below:

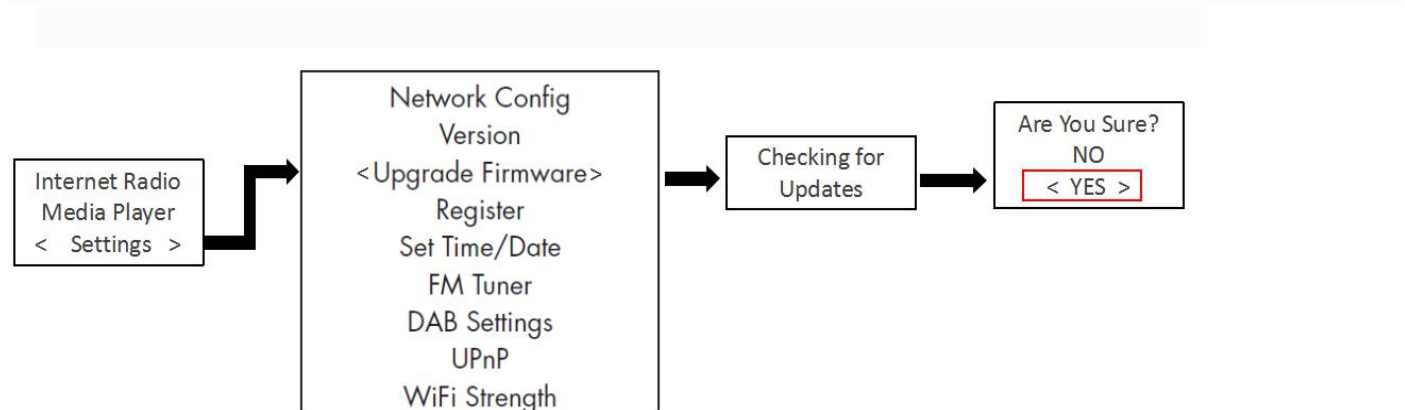
- RT-1570
- RDG-1520
- RT-12
- RCX-1500
- RT-09

These models can be updated either via a software update or hardware + software update depending on the current software/hardware version in the unit to restore the Internet Radio functions.

Software Update

Models running Internet Radio Software **V266-a-137-a-014 or newer** can update the software via the Internet following the steps below. No hardware modification is required for this update.

The Software Update menu can be found in the setup menu by selecting <Settings> → <Upgrade Firmware>



Software + Hardware Update

Models running Internet Radio Software V266-a-137-a-003, V266-a-137-a-007 require a Hardware and Software update. More information about current software version check guide, part number instruction for Internet Streaming module, please refer to the below link.

<https://rotel.com/blog/reciva-4>

[End]



Technical Information

DATE: October 20, 2011

Model: RDG-1520,RT-09

Software Release Notes

The following document contains details of the updates for Internet Radio software and the release notes are listed below. Some updates require both Main and Internet Radio software to be updated to work, and it is recommended for full functionality to ensure that all updates are performed.

Key:

New Feature

Feature Change

Bug Fix – Critical

Bug Fix – Minor

Internet Radio Software

SP265-a-254-a-301 to SP265-a-254-a-301-a-007

October 20, 2011

Recommended Minimum Main Software: V1.15

- **New Feature:** Added support for the new Rotel iPhone/iPad App.